

## Physical Properties

Solids	70%
Viscosity	14 cps
Specific Gravity - A=1.108, B=0.847	
Hardness Shore D	ASTM D224 70
Tensile Strength, psi	ASTM D412 4500
Tear Strength lb/mil	ASTM D624 489
Elongation %	ASTM D412 7
Compression Strength	2 hr.
blended/sand	3900 psi,
neat	3000 psi
Compression Strength 7 day cure	
blended/sand	4800 psi
neat	3900 psi
VOC grams/liter combined	5g/1
Color	Dark Gray
Exudation	None
Shrinkage	None
Pot Life 100 gram mass	190 seconds

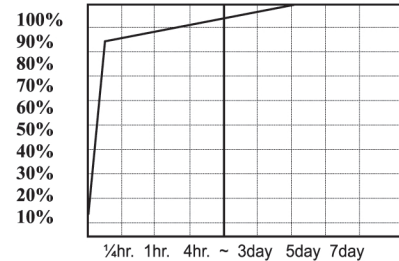
Approximate Minimum Application Temperature

Product @ 70°F with substrate at 20°F cure time 45 min.

Product @ 70°F with substrate at 50°F cure time 20 min.

Maximum Application Temperature

Product and substrate @ 90°F cure time approximately 3 to 5 minutes. ¼hr. 1hr. 4hr. ~ 3day 5day 7day



## Filler

Sand filler should be of manufactured, washed and dried, with no moisture. Grit sizes from 50 to 70 paper bag aggregate. \* *Product will bond damaged slabs together and may stop movement. Not intended for use where substrate movement is required.*

## Application

Clean the area of debris and contaminants that would act to disbond product such as oils, loose materials, dirt, rubber etc. Expose clean rough concrete by using a grinder with a twisted wire wheel. Make sure the area is dry.

## Where the crack is deep

- Apply product to the bottom of the crack and work up in layers.
- First apply product, then add sand into the product, then more product & sand.
- Repeat the steps in layers until reaching the finished grade.

## Moisture

**Rapid Restore** is sensitive to moisture before the two parts (A & B) are mixed, after they are mixed and until the product sets.

**All applications or repairs must be dry.**

## Priming

**Rapid Restore** is self-priming on most substrates.

## Clean-up

Clean any newly set-up product from unwanted areas quickly, before product has had time to remain for more than 10 minutes.

## Application Guns

Manual duplex guns are 300 ml. x 300 ml. size. Clean guns regularly, do not apply excess pressure to the cartridge kits during application, damage may result to the cartridge plungers.

## Product Storage

Product should be stored at room temperature in unopened containers. Do not store above 85 degrees F. or in direct sunlight. Shelf life is approximately 6 months.

## Disposal

Kit containers must be empty and drip free, consult local, state and federal disposal laws before disposal.

## Safety

Read all product MSDS and make sure that personnel using the products understand the data in the MSDS and General Safety Information Sheets. Call RCS, Inc. for questions concerning product use and safety.

## Wear Protective Clothing

- Long sleeved shirts, or overalls, rubber gloves, boots, safety glasses.
- Follow all applications instructions and use only for specified uses.
- Do not use this, or any product near high heat, or open flame.
- Do not take internally, keep out of reach of children.

## First Aid

**Eye Contact:** flush with plenty of water for 15 minutes and seek immediate medical attention.

**Skin contact:** remove contaminated clothing and wash contact area with soap and water for 15 minutes.

**Ingestion:** if appreciable quantities are swallowed seek medical attention immediately.

**Inhalation:** in case of exposure to high levels of vapor or mist, remove person to fresh air. If breathing has stopped, administer artificial respiration and seek medical attention immediately.

**Clothing:** use gloves, eye protection and NIOSH cartridge mask for areas that are poorly ventilated. Wear safety clothing and boots when using this product.

**Read all MSDS for additional first aid information on each product before it is used.**

## EMERGENCY RESPONSE

**PHONE NUMBER:  
800-424-9300**

## Technical Information

Technical and application information is provided for the purpose of establishing a general profile of the product and proper application methods or procedures. Test performance results were obtained in a controlled environment and RCS, Inc. makes no claim these tests or any other tests, accurately represent all environments. As application, environmental and design factors can vary significantly, due care should be exercised in the selection of the product used.

Published technical data and instructions are subject to change without notice. Contact your RCS, Inc. representative for current technical data and instructions.

## Product Warranty

Every reasonable precaution is taken in the manufacture of all RCS, Inc. products and compilation of data to assure that they shall comply with the manufacturer's exacting standards.

As, however, the effectiveness of each product depends on the applicator's judgment of a proper condition, and since conditions and methods of use are beyond the manufacturer's control, no warranty of any type is made, expressed or implied whether used in accordance with directions or not.

Limited Warranty & Limitation of Seller's Liability: RCS Inc. warrants only that its polymer products represented in the Product Bulletin data sheets meet the formulation standards of the RCS, Inc.

The above warranty shall be in lieu of any other warranty, expressed or implied, including but not limited to, any implied warranty of merchantability or fitness for a particular purpose. There are no warranties that extend beyond the description on the face hereof.

The buyer's sole and exclusive remedy against RCS, Inc. shall be for replacement of the product in the event a defective condition of the product should be found to exist. No other remedy (including but not limited to, incidental or consequential damages for lost profits, lost sales, injury to person or property, or any other incidental or consequential loss) shall be available to the buyer.

The sole purpose of this exclusive remedy shall be to provide the buyer with replacement of the product if any defect in materials is found to exist.

This exclusive remedy shall not be deemed to have failed its essential purpose so long as RCS, Inc. is willing and able to replace the defective materials. All claims concerning a defective product must be made within 12 months of the shipment date. Absence of such claims in writing during this period will constitute a waiver of all claims with respect to the product.

# RAPID RESTORE

**Rapid repairs for INDOOR concrete floors, decks, slabs and surfaces**

- **MINIMAL PREPARATION**
- **FEATHER EDGE REPAIRS**
- **SELF LEVELING**
- **SELF MIXING - NO POT MIXING**
- **EXCELLENT CHEMICAL RESISTANCE**
- **FINISHED REPAIR CAN BE TREATED LIKE CONCRETE!**  
(Cutting / Drilling / Coating / Securing Anchor Bolts)

## Manufacturer

Rapid Concrete Solutions, Inc.  
800-466-9026  
www.RapidConcrete.com

## Description

**Rapid Restore** is a rapid set, high strength ultra low viscosity concrete crack repair material. This two part system is designed for rebuilding broken control joints and repairing cracked and spalled concrete surfaces very quickly.

## Heavy Loads In 15 Minutes

**Rapid Restore** can be put back in service in 15 minutes after the installation is made.

## Product Uses

- Rebuilding Control Joints, Floor Repair
- Shallow Spalls on Warehouse Floors & Bridge Decks
- Spalls and Crack Repairs in Fork Lift Traffic Areas
- Grade Matching
- Fill & Repair Spalls Before Coating
- Used to "Knit" Cracked Slabs

## Fast Set - Low Viscosity

- **Rapid Restore** is used with sand in the crack and set time is approximately 4 to 8 minutes depending on temperature.
- Viscosity is 24 cps producing excellent penetration into cracks and select sand fillers.
- Low viscosity produces "wet-out" penetration unequalled by any other polymer product.
- Produces high strength bonds capable of heavy traffic support in a short time.

## The INDOOR Solution to Concrete Floor Problems!

## Advantages

- Rapid Applications & Set Times
- Meets USDA Requirements
- Cold Applications (0° F)
- "Drive-Over" in 10 to 15 minutes
- Produces High Strength Quickly
- Self-leveling
- Restores Traffic Use in 15 Minutes
- Virtually No Odor

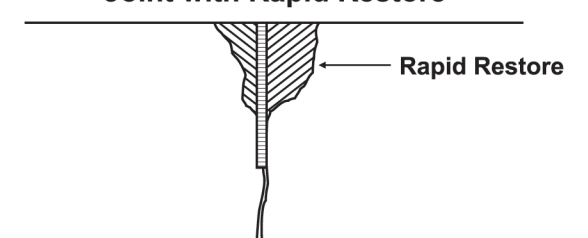
## Damaged Joints and Down Time

**Rapid Restore** is intended for use in damaged control joints or warehouse Spalls where there is no movement and damage is from steel wheels, or hard urethane wheels. This product is especially useful in these areas where "Down-time" is limited.

## Moisture

*Products are moisture sensitive and should not be applied to wet surfaces.*

## Rebuilding A Control Joint or Expansion Joint with Rapid Restore

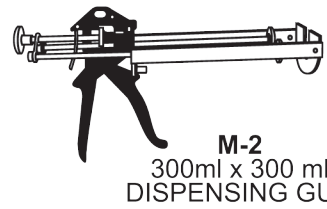


# RAPID RESTORE

## APPLICATION INSTRUCTIONS

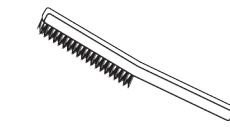
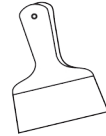
READ ALL INSTRUCTIONS CAREFULLY BEFORE USE!  
For Professional Use Only

### TOOLS RECOMMENDED FOR CONCRETE REPAIR:



M-2  
300ml x 300 ml  
DISPENSING GUN

PLASTIC SCRAPER  
for smoothing repairs



WIRE BRUSH  
for cleaning repair area



4" GRINDER with a  
diamond blade or twisted  
wire wheel for cleaning  
repair area



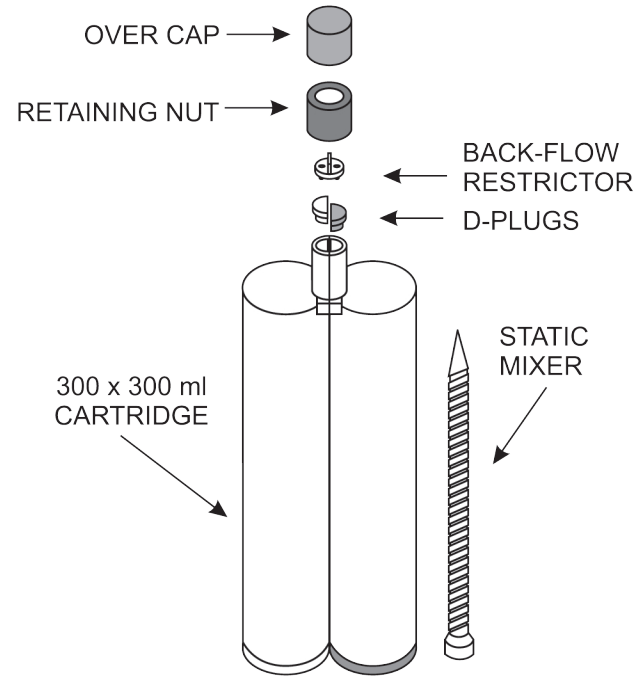
SHOP VACUUM  
for removing dust and  
debris from repair area

50 to 70 MESH  
WASHED & DRIED  
PAPER BAG SAND  
OR QUARTZ

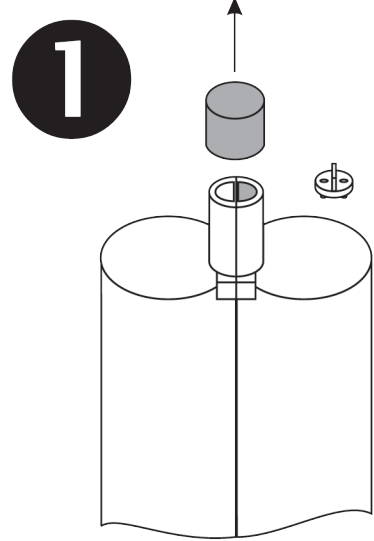


GLOVES &  
SAFETY  
GLASSES

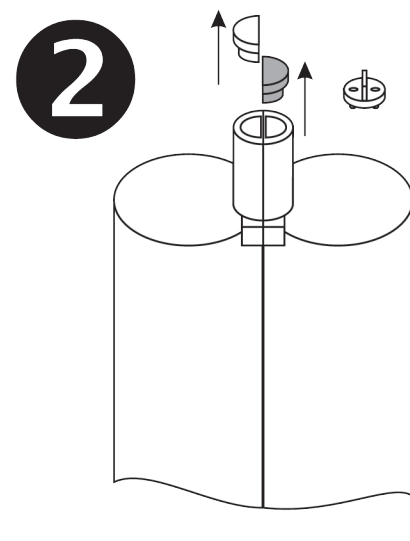
### EACH KIT INCLUDES THE FOLLOWING:



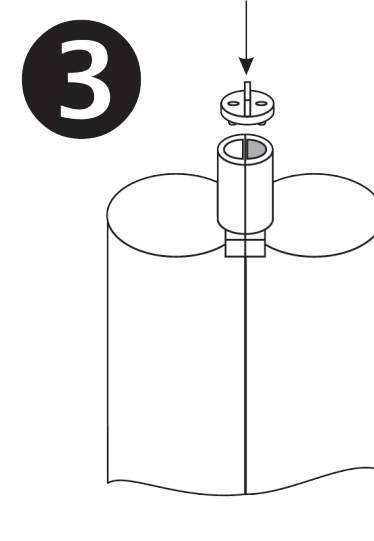
### KIT ASSEMBLY INSTRUCTIONS...



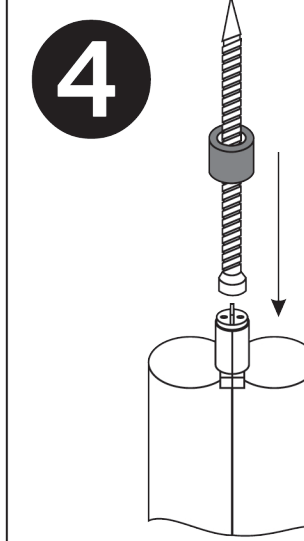
**STEP 1:** Remove over cap and wipe off excess sealant material.



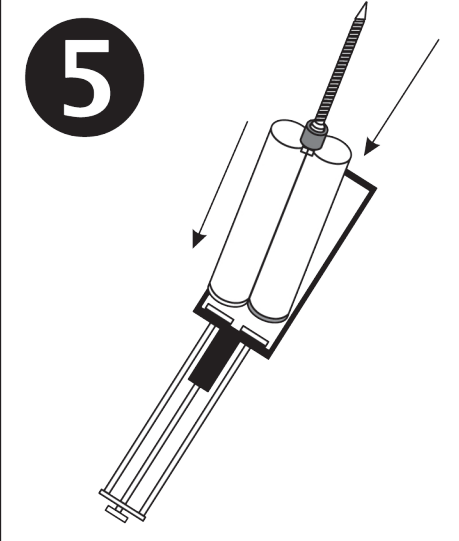
**STEP 2:** Remove D-plugs and save for resealing.



**STEP 3:** Place Back-flow restrictor on top of cartridge. Be careful to align material openings.



**STEP 4:** Place static mixer over the Back-flow restrictor. Secure with retaining nut. Keep kit upright until use.

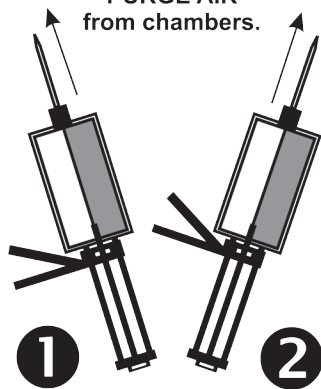


**STEP 5:** Hold kit upward and load into gun. **KEEP KIT UPRIGHT and proceed to step #6, KIT STARTUP...**

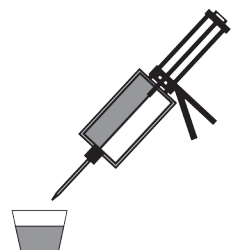
### KIT START-UP...

**6**

PURGE AIR  
from chambers.



Purge any air from inside of chambers by slightly squeezing the handle and tilting the kit first to one side until air is completely out of first chamber. Then, repeat on the other side until the air is completely out of second chamber.



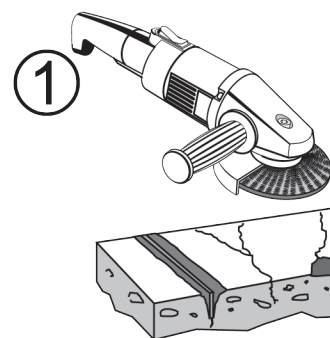
Discard purged material from kit nozzle into a waste container.

### CAUTION:

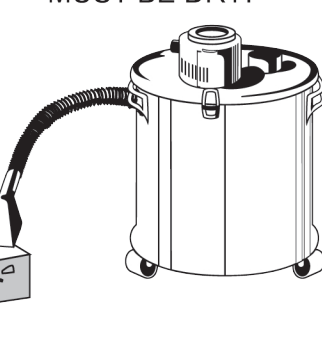
To prevent clogging kit, **DO NOT POINT MIXER UPWARD** after purging!

### REPAIRING JOINTS, CRACKS, AND SPALLS WITH RAPID RESTORE 4034...

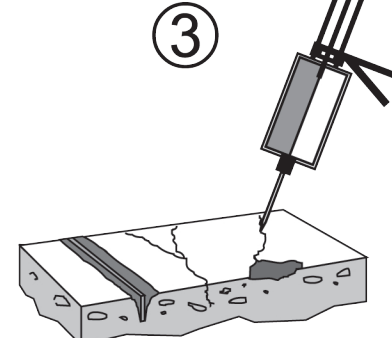
Use a grinder with a twisted wire wheel for proper surface preparation.



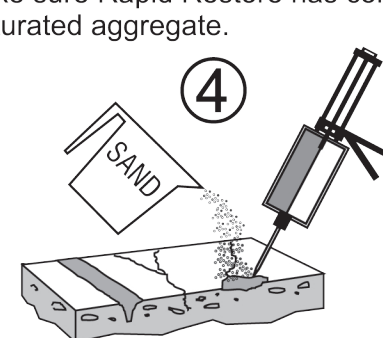
Use a vacuum, compressed air or other method to completely remove dust and debris. **REPAIR AREA MUST BE DRY!**



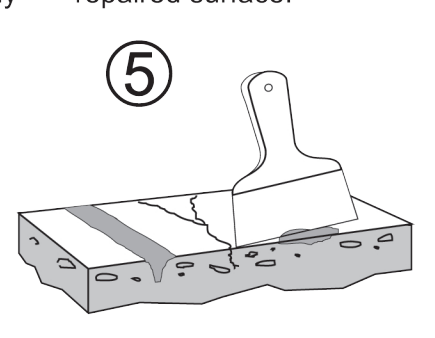
Prime repair area with RAPID RESTORE



Fill repair area with clean, dry aggregate (recommended: washed and dried paper bag sand or quartz, 50 to 70 mesh). Make sure Rapid Restore has completely saturated aggregate.

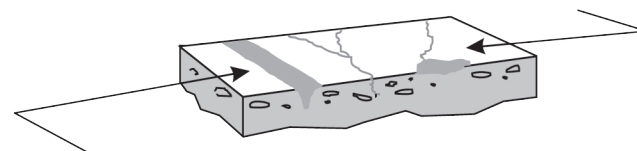


Pull plastic scraper or taping knife over repair material for a smooth, feather-edge repaired surface.



Repair area is available for full traffic in 15 minutes.

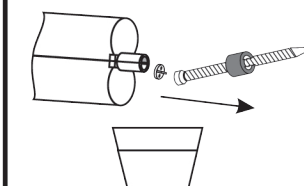
If necessary, cured material may be ground to a smooth finish.



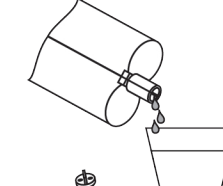
If necessary, restored joints may be re-sawed to maintain original joint.

### RESEALING KIT FOR REUSE...

Hold kit sideways over a waste container and remove retaining nut, mixer, & Back-flow restrictor.



Tip kit and bleed off a few drops of material to clear out any cured product.



**IMPORTANT:** Replace D-plugs, matching color of each D-plug to back plunger color (to prevent cross-contamination and/or blockage from any cured product). Place over cap on kit and store upright in a cool, dry place.

